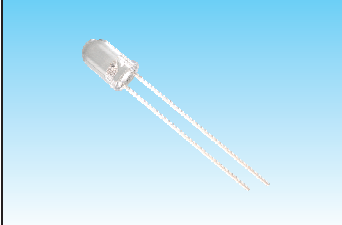
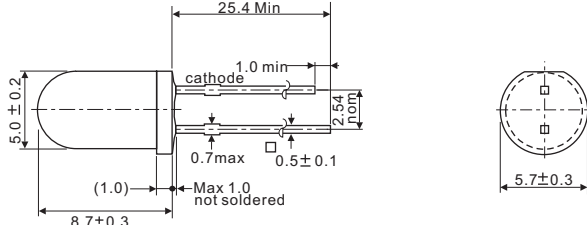



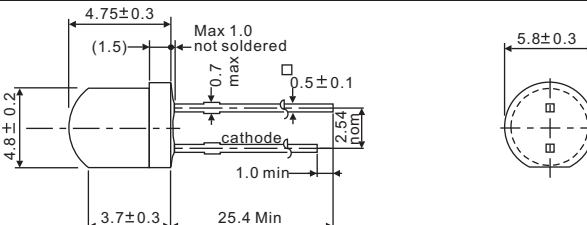
# Infrared Emitters



Ta=25°C

Device No	Wavelength	Lens Color	Forward Voltage		Radiant Output Power (mw/sr)			View Angle 2θ1/2
	λp(nm)		Typ(V)	IF(mA)	Minimum	Typical	IF(mA)	

Device No	Wavelength λp(nm)	Lens Color	Forward Voltage		Radiant Output Power (mw/sr)			View Angle 2θ1/2	
			Typ(V)	IF(mA)	Minimum	Typical	IF(mA)		
φ 5									UNIT:mm
	HIRB5-43C-A	940	Water clear	1.28	50	35.0	70.0	15	
	HIRB5-23C-B	940	Colored clear	1.28		25.0	60.0	20	
	HIRB5-43C-B	940	Water clear	1.28		25.0	60.0	20	
	HIRB5-23C-C	940	Colored clear	1.28		16.0	40.0	40	
	HIRB5-43C-C	940	Water clear	1.28		16.0	40.0	40	
	HIRB5-43C-D	940		1.28		15.0	30.0	50	
	HIRB5-43D-A	940		1.25		45.0	80.0	15	
	HIRB5-43D-B	940		1.25		40.0	70.0	20	
	HIRB5-43D-C	940		1.25		30.0	50.0	35	
	HIRB5-43D-D	940		1.25		20.0	35.0	50	
	HIRB5-43E-A	880		1.47		35.0	65.0	15	
	HIRB5-43E-B	880		1.47		20.0	50.0	20	
	HIRB5-43E-C	880		1.47		20.0	35.0	40	
	HIRB5-43E-D	880		1.47		12.5	25.0	50	
	HIRB5-43G-A	850		1.50		65.0	140.0	12	
	HIRB5-43G-B	850		1.50		60.0	100.0	18	
	HIRB5-43G-C	850		1.50		50.0	80.0	35	
	HIRB5-43G-D	850		1.50		22.0	55.0	50	
	HIRB5-43H-C	875		1.55		70.0	130.0	35	
HIRB5-43H-D	875	1.55		50.0		80.0	50		
HIRB5-43P-A	770	1.70	60.0	115.0	15				

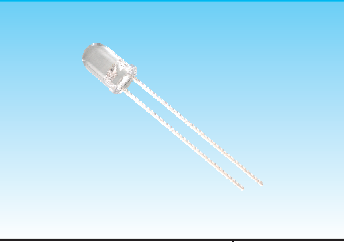
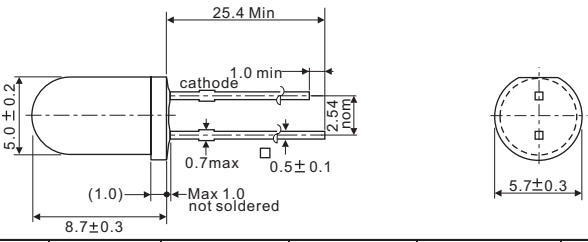
Device No	Wavelength λp(nm)	Lens Color	Forward Voltage		Radiant Output Power (mw/sr)			View Angle 2θ1/2	
			Typ(V)	IF(mA)	Minimum	Typical	IF(mA)		
φ 5									UNIT:mm
	HIRB5G-43D	940	Water clear	1.25	50	12.0	20.0	60	
HIRB5G-43G	850	clear	1.50	15.0		25.0	50	70	


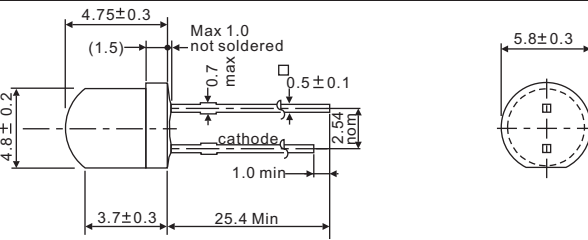


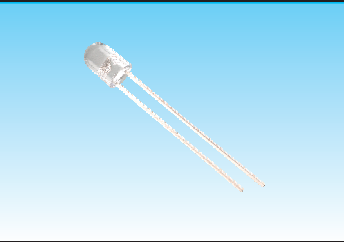
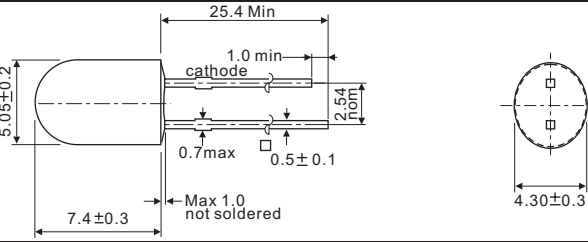
# Infrared Emitters

Ta=25°C

Device No	Wavelength	Lens Color	Forward Voltage		Radiant Output Power (mw/sr)			View Angle 2θ1/2
	λp(nm)		Typ(V)	IF(mA)	Minimum	Typical	IF(mA)	

φ 5									UNIT:mm
	HIRB5-43Eb-A	880	Water clear	1.47	50	35.0	70.0	50	15
	HIRB5-43Eb-B	880		1.47		25.0	55.0		20
	HIRB5-43Eb-C	880		1.47		18.0	38.0		40
	HIRB5-43Eb-D	880		1.47		14.0	28.0		50
	HIRB5-43Gb-A	850		1.50		65.0	150.0		12
	HIRB5-43Gb-B	850		1.50		60.0	110.0		18
	HIRB5-43Gb-C	850		1.50		50.0	85.0		35
	HIRB5-43Gb-D	850		1.50		25.0	58.0		50
	HIRB5-43Hb-C	875		1.55		70.0	140.0		35
HIRB5-43Hb-D	875	1.55		40.0		85.0	50		

φ 5									UNIT:mm
	HIRB5G-43Gb	850	Water clear	1.50	50	15.0	28.0	50	70

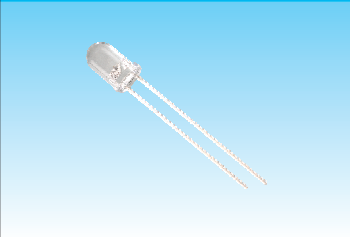
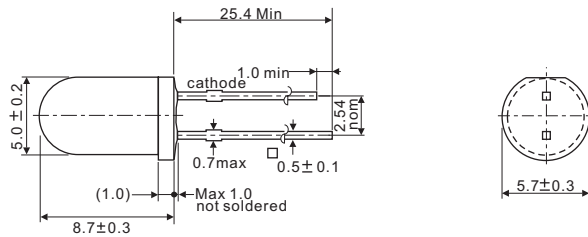
oval									UNIT:mm
	HIRB4Q-43D	940	Water clear	1.25	50	30.0	60.0	50	40/20
	HIRB4Q-43G	850		1.50		35.0	70.0		
	HIRB4Q-43Gb	850		1.50		38.0	74.0		


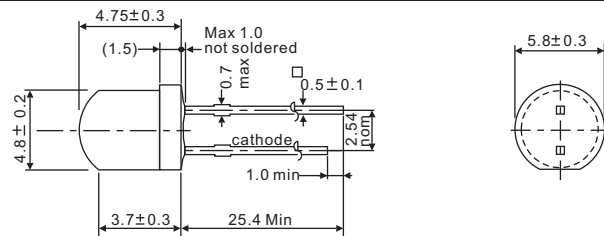
# High Power Infrared Emitters

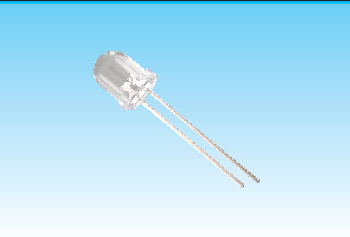
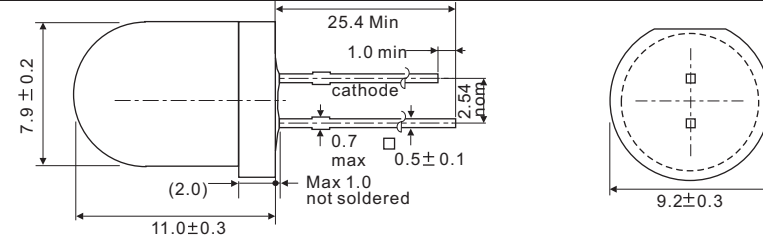


Ta=25°C

Device No	Wavelength	Lens Color	Forward Voltage		Radiant Output Power (mw/sr)			View Angle 2θ1/2
	λp(nm)		Typ(V)	IF(mA)	Minimum	Typical	IF(mA)	

φ 5									UNIT:mm								
									HIRB5-43L1-A	850	Water clear	1.7	150	220	420	150	12
									HIRB5-43L1-B	850							18
									HIRB5-43L1-C	850							35
									HIRB5-43L1-D	850							50

φ 5									UNIT:mm	
									HIRB5G-43L1	850

φ 8									UNIT:mm								
									HIRB8b-43L1-A	850	Water clear	1.7	150	200	400	150	24
									HIRB8b-43L1-B	850	Water clear	1.7	150	100	200	150	40